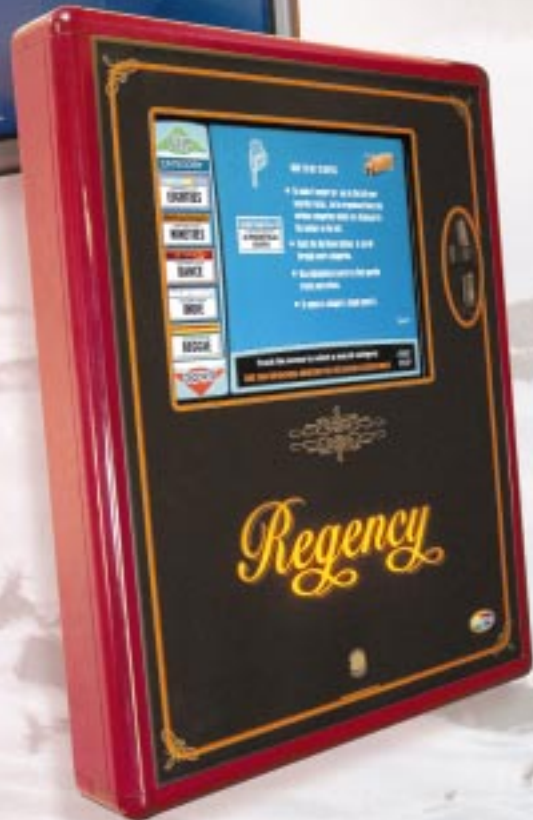


Music Post & Regency



Music Post & Regency

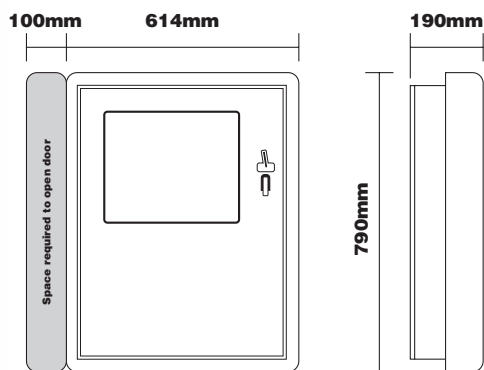
The world leaders in Digital jukeboxes have new additions to their impressive range, the stylish 'MUSIC POST' and 'REGENCY' wallmounts.

A masterpiece of subtle, yet appealing design, 'MUSIC POST' offers all the features of Sound Leisure's digital jukebox range, in a package that blends perfectly with the coolest décor! The 'Regency' styling, a long time favourite reprised to coordinate with the style of more traditional locations. The 'Music Post' finished in satin aluminium features Sound Leisure's 'Intelligent Music Management System' (IMMS) to select the most appropriate music on-site, without operator involvement. Also, introduced with this model is Sound Leisure's new 'Screenseal' technology. This advancement shields the touch-screen with polycarbonate protection to render it virtually vandal-proof and immune from solvents, smears and spillages.

Altogether, another proven Sound investment!

Features:

- Full on-screen programming
- Artist and track display
- A-Z search facility
- The first 18" TFT touchscreen available, and with the benefit of 'Screenseal' technology
- 4 variable price of play/happy hour timers
- 10 BGM timers
- Intelligent Music Management System (IMMS)
- 'Screenseal' technology
- CD Rom music updates, all the very latest new and pre-release titles
- Special events switch
- Comprehensive data retrieval system
- 300 watt stereo amplifier
- Microphone and auxiliary inputs
- On-screen advertising potential
- Sound Leisure 'DJ LINK' compatible
- Range of custom finishes available, ask for details.



Weight: 50 Kg



SOUND LEISURE LTD

39 Ings Road, Leeds, Yorkshire LS9 9EW England
T: 44 (0) 113 2175000 F: 44 (0) 113 2175003 E: sales@sound-leisure.com

www.sound-leisure.com